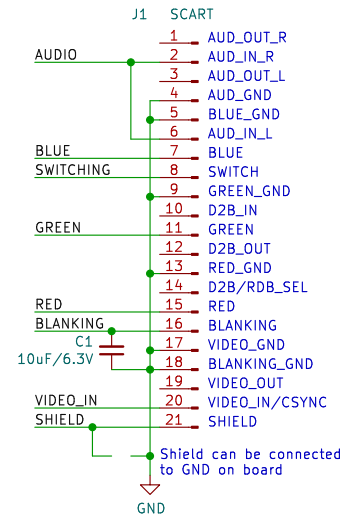
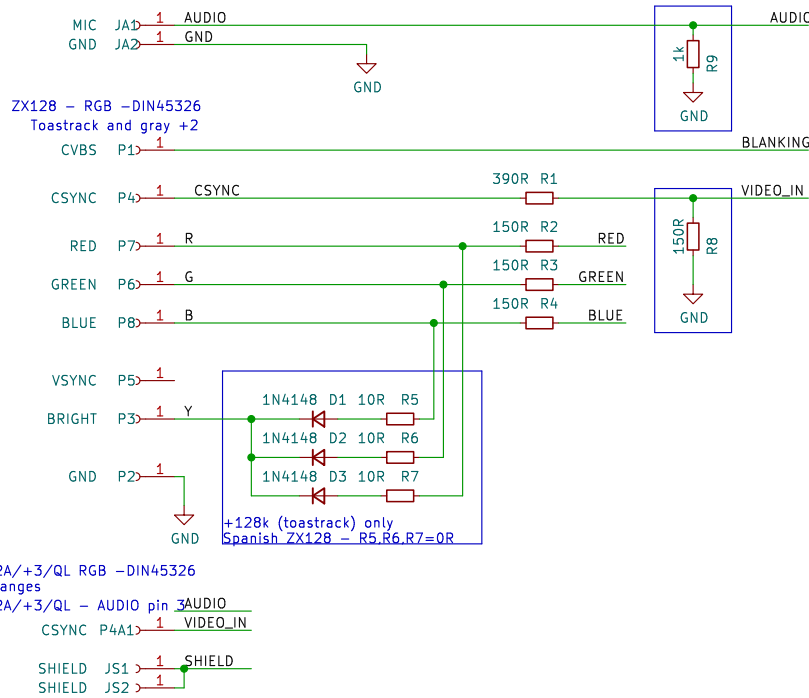


## RGB Video Cable for ZX Spectrum+128k, +2 or +2A/+2B/+3/QL



Wire Color	function
RED	RED
GREEN	GREEN
BLUE	BLUE
WHITE	BRIGHT
YELLOW	CSYNC
BROWN	COMPOSITE/BLANKING
BLACK	GND
AMBER	AUDIO

+2A/+3/QL RGB -DIN45326 changes  
+2A/+3/QL - AUDIO pin 3-AUDIO  
CSYNC P4A1 -1 VIDEO\_IN  
SHIELD JS1 -1 SHIELD  
SHIELD JS2 -1

Originate from:  
<http://www.fruitcake.plus.com/Sinclair/Spectrum128/SCARTCable/Spectrum128SCARTCable.htm>

ZX Spectrum+128K Sinclair (toastrack)	Spanish ZX128 Investronica Model 2.1	Grey +2 Amstrad	+2A/+3 Amstrad	QL Sinclair
1. - Composite video	1. - nc	1. - Composite video-LK4/+12V-LK2	1. - +12V	1. - Composite PAL
2. - GND	2. - GND	2. - GND	2. - GND	2. - GND
3. - BRIGHT	3. - Composite video	3. - BRIGHT-LK7/AUDIO-LK8	3. - AUDIO	3. - Composite monochrome
4. - CSYNC	4. - CSYNC	4. - CSYNC	4. - CSYNC	4. - CSYNC
5. - VSYNC	5. - BRIGHT	5. - VSYNC-LK1/+12V-LK3	5. - +12V	5. - VSYNC
6. - GREEN	6. - GREEN	6. - GREEN	6. - GREEN	6. - GREEN
7. - RED	7. - RED	7. - RED	7. - RED	7. - RED
8. - BLUE	8. - BLUE	8. - BLUE	8. - BLUE	8. - BLUE

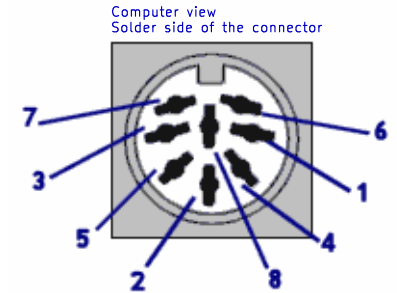
\*different pins !!!  
1,3,5

### Changes

R1 390R	R1 15R	R1 0R	R1 0R	R1 390R
R2 150R	R2 150R	R2 150R	R2 330R	R2 390R
R3 150R	R3 150R	R3 150R	R3 330R	R3 390R
R4 150R	R4 150R	R4 150R	R4 330R	R4 390R
R5 10R	R5 10R		R8 not used	R8 not used
R6 10R	R6 10R		C1 not used	C1 not used
R7 10R	R7 10R			
R8 150R - optional				
R9 1k				

R9 - optional  
noise in audio reduction  
Blanking signal is optional  
1-3V selects RGB

C1 - SMD1206 - any capacitor min. 6.3V, higher capacity



**Pavel Vymetálek, pavel@vym.cz**

Sheet: /

File: scart-rgb128.kicad\_sch

**Title: RGB Cable for Spectrum+128k or +2 or +2A/+2B/+3 or QL**

Size: A4 Date: 2019-02-15

KiCad E.D.A. kicad 7.0.1-2.fc37

Rev: 2

Id: 1/1